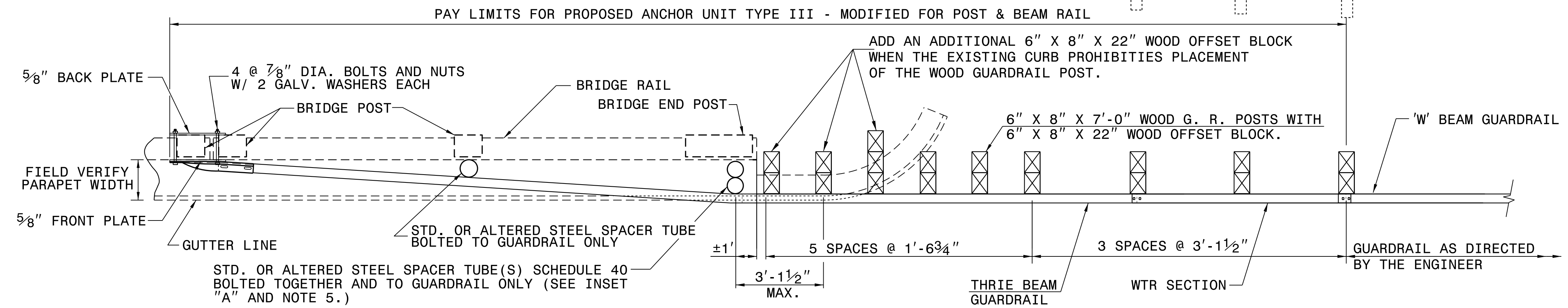
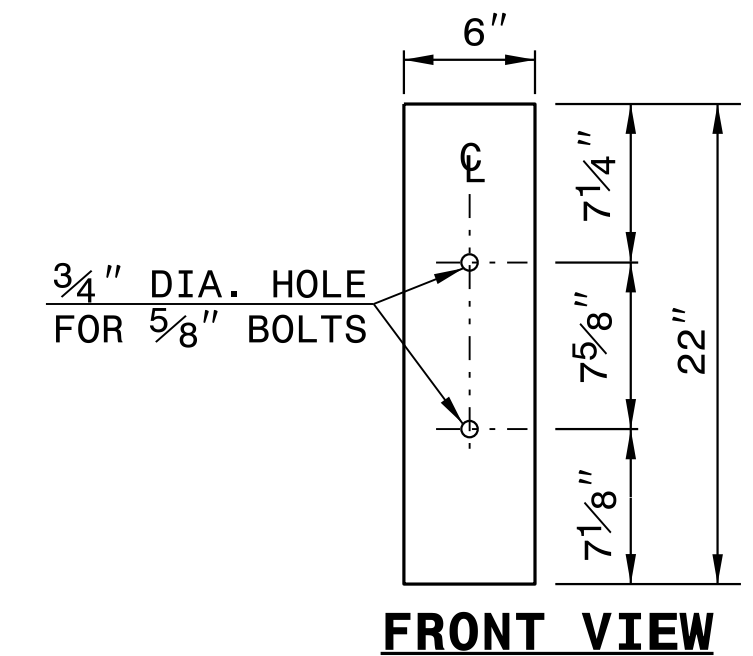


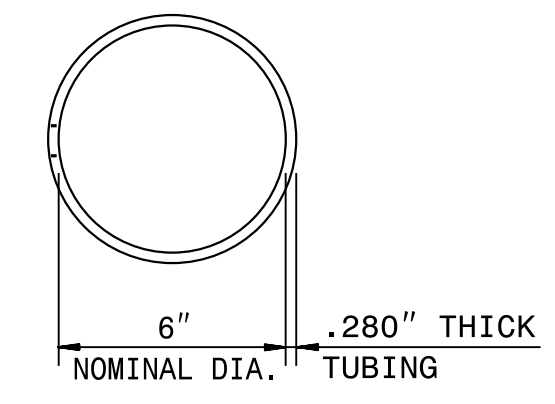
**ELEVATION VIEW**



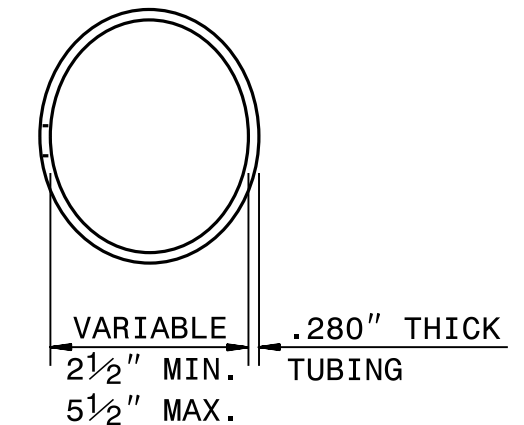
**PLAN VIEW**



**FRONT VIEW**

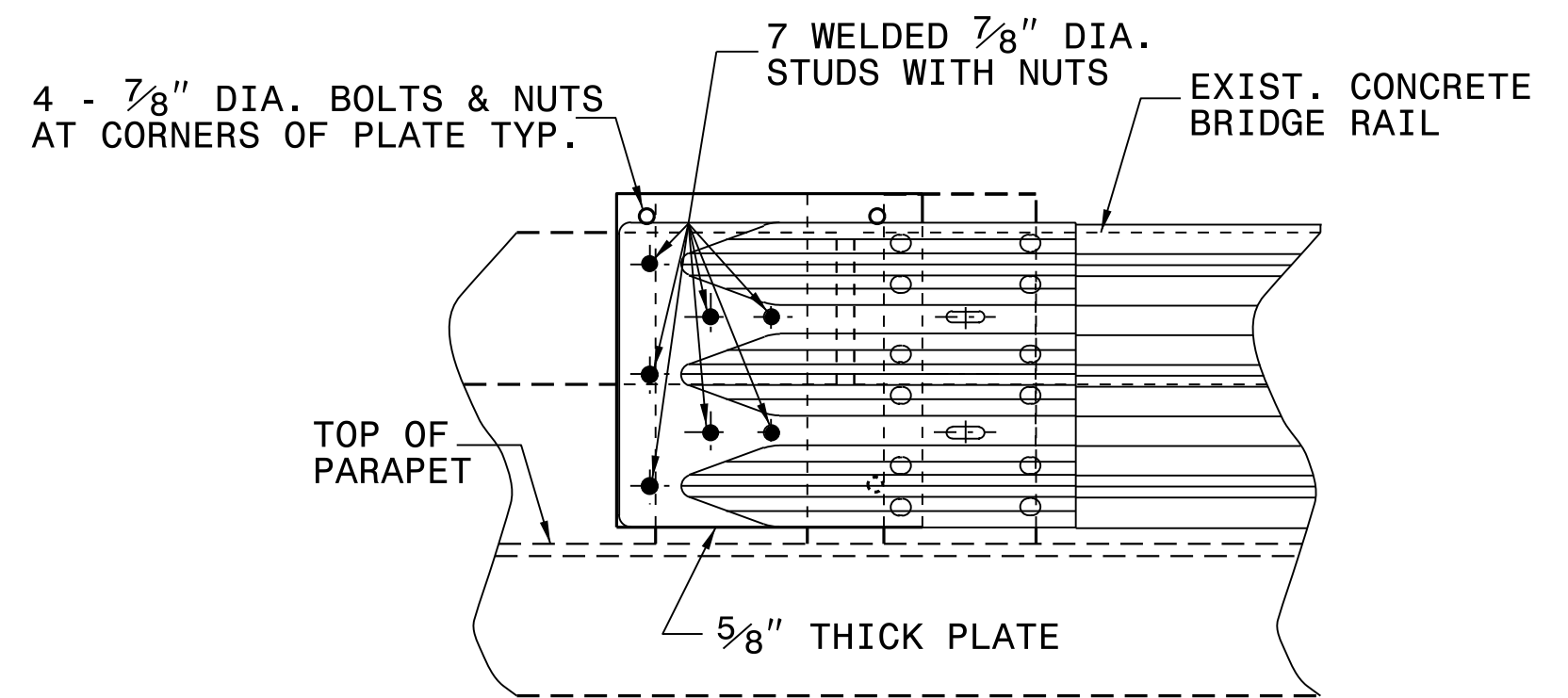


**PLAN VIEW**

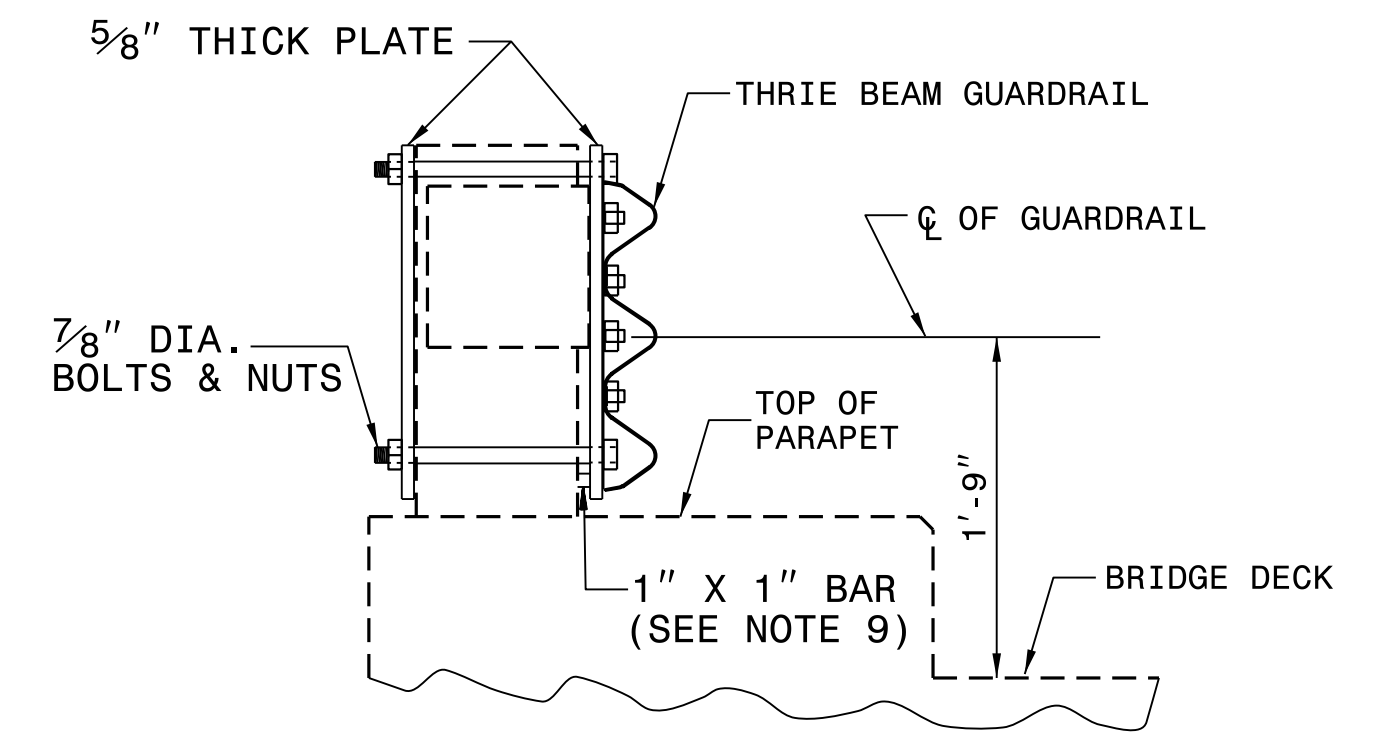


**PLAN VIEW INSET "A"**

**STEEL SPACER TUBE**

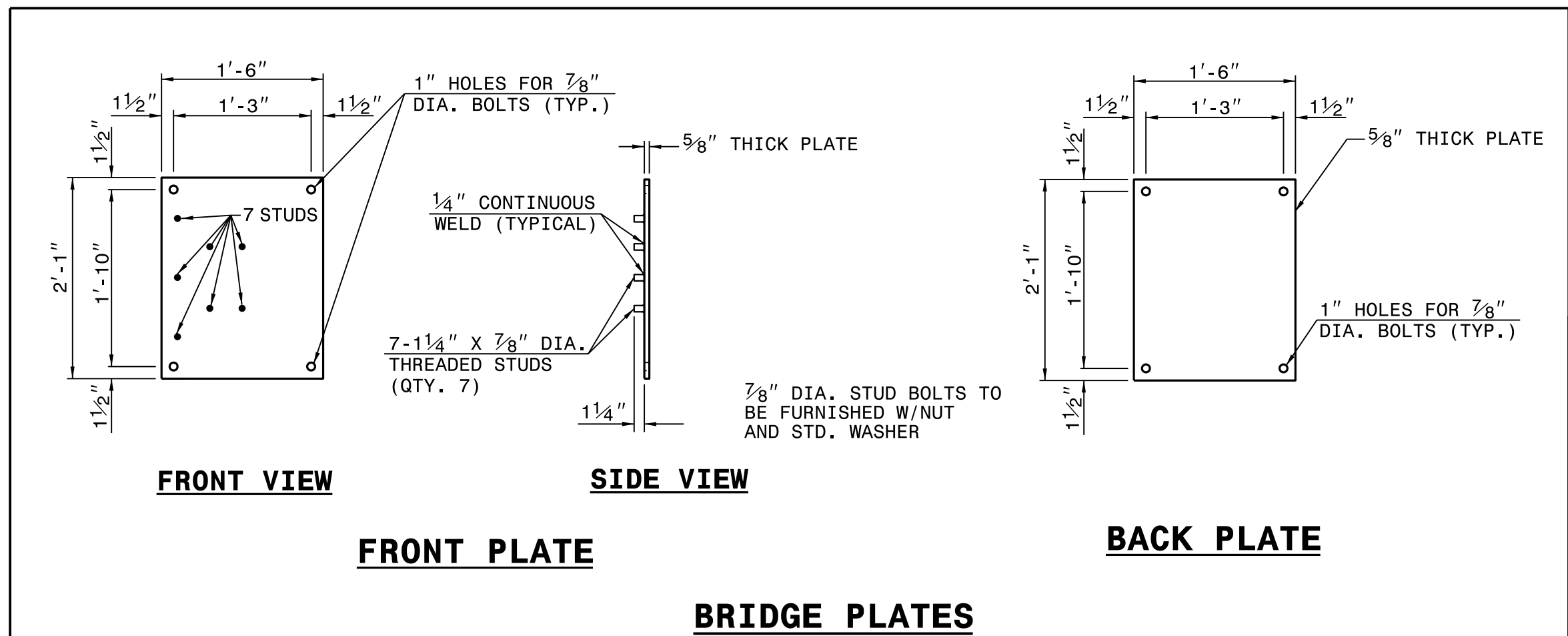


**ELEVATION VIEW**



**SECTION VIEW**

- GENERAL NOTES:**
1. USE NUTS, BOLTS, AND WASHERS CONFORMING TO THE REQUIREMENTS OF A.S.T.M. A-307 AND GALVANIZED IN ACCORDANCE WITH SECTION 1076 OF STAND. SPECS.
  2. TAP NUTS FOR THE 7/8" DIA. STUDS AND BOLTS AFTER GALVANIZING SEE A.S.T.M. A-563.
  3. USE PLATES AND TUBES CONFORMING TO THE REQUIREMENTS OF A.S.T.M. A-36 AND GALVANIZED AFTER FABRICATION IN ACCORDANCE WITH SECTION 1076 OF STAND. SPECS.
  4. ADDITIONAL FIELD HOLES MAY BE DRILLED IN STEEL RAIL AS DIRECTED BY THE ENGINEER.
  5. INSTALL FACE OF GUARDRAIL AS NEAR AS POSSIBLE TO PLUMB WITH THE PARAPET FACE AT BRIDGE END POST SPACER TUBE LOCATION BY USING STANDARD OR ALTERED SPACER TUBES OR A COMBINATION THEREOF OR AS DIRECTED BY THE ENGINEER. FOR VERY SMALL PARAPET WIDTHS, GUARDRAIL MAY BE INSTALLED AGAINST BRIDGE RAIL WITHOUT SPACER TUBES.
  6. DO NOT DRILL BRIDGE RAIL IN ORDER TO INSTALL GUARDRAIL ANCHOR UNIT.
  7. USE THIS DETAIL ONLY FOR BRIGES WITH POST AND BEAM TYPE RAIL.
  8. ATTACH 1" X 1" BAR AND THREADED STUDS TO PLATE WITH 1/4" WELDS ALL AROUND.
  9. 1" X 1" BAR MAY NOT BE NEEDED ON BRIDGE RAILS WHERE FACE OF RAIL DOES NOT PROJECT BEYOND FACE OF POST.
  10. PROVIDE SHOP DRAWINGS OF THE PLATES TO THE ENGINEER FOR APPROVAL BEFORE FABRICATING THE PLATES.
  11. LAP JOINTS IN THE DIRECTION OF TRAFFIC FLOW.
  12. SEE ROADWAY STANDARD DRAWING 862.03 SHEET 3 FOR ADDITIONAL INFORMATION ON THE TYPE III ANCHOR UNIT



**FRONT VIEW**

**SIDE VIEW**

**FRONT PLATE**

**BACK PLATE**

**BRIDGE PLATES**



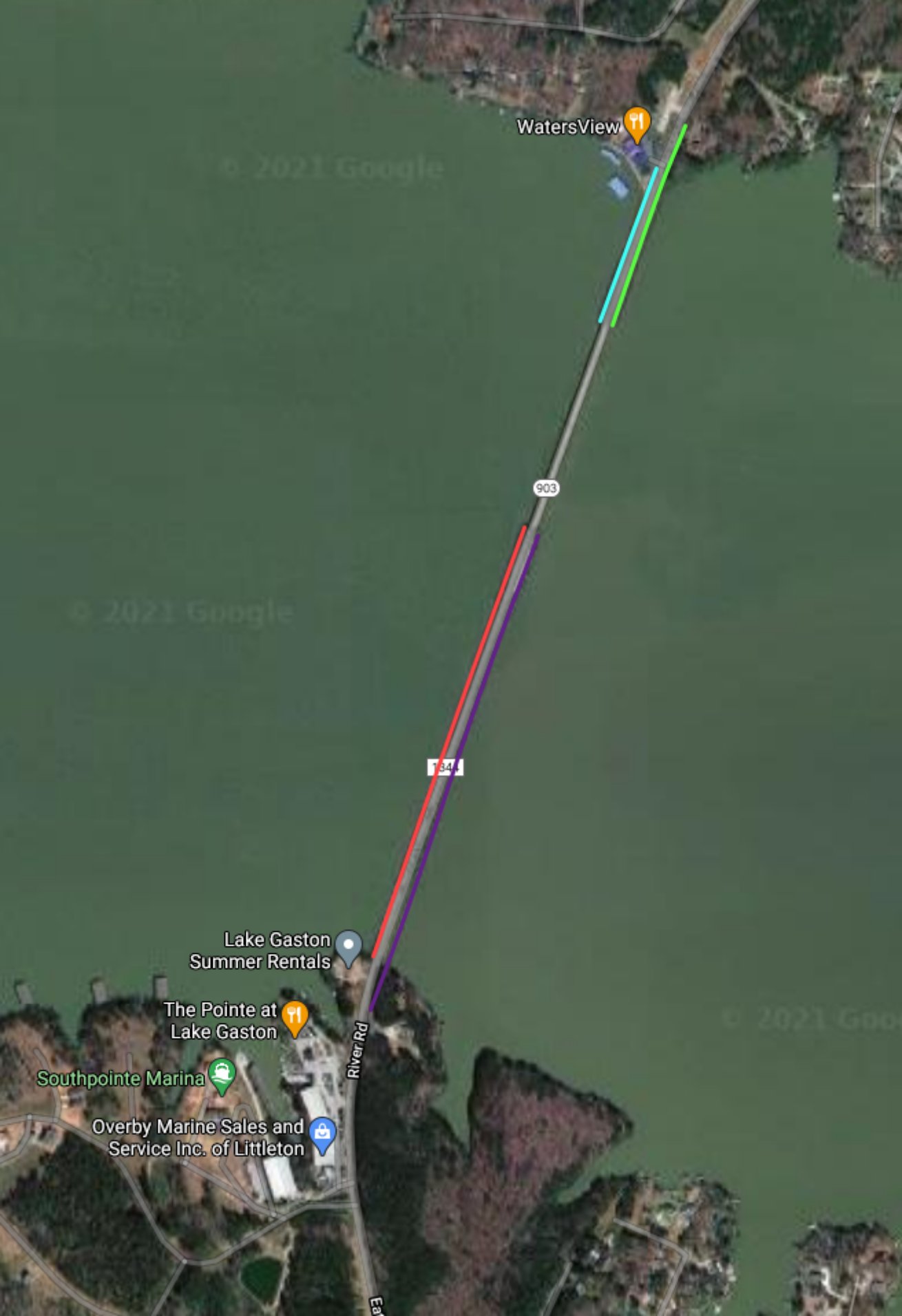
DOCUMENT NOT CONSIDERED FINAL  
UNLESS ALL SIGNATURES COMPLETED

**CONTRACT STANDARDS  
AND DEVELOPMENT UNIT**  
Office 919-707-6950 FAX 919-250-4119

**TYPE III MODIFIED  
FOR POST AND BEAM RAIL**

ORIGINAL BY: E.E. WARD DATE: 01-03  
 MODIFIED BY: JS Howerton DATE: 01-18  
 CHECKED BY: DATE:  
 FILE SPEC.: s:\details\stand\bpii original.dgn

24-JAN-2018 14:51 S:\Contracts\Special\Details\stand\bp\_iii\_original.dgn J:\power\ton AT\_CSD-292595



WatersView

903

134

Lake Gaston Summer Rentals

The Pointe at Lake Gaston

Southpointe Marina

Overby Marine Sales and Service Inc. of Littleton

River Rd

Ea

© 2021 Google

© 2021 Google

© 2021 Google